

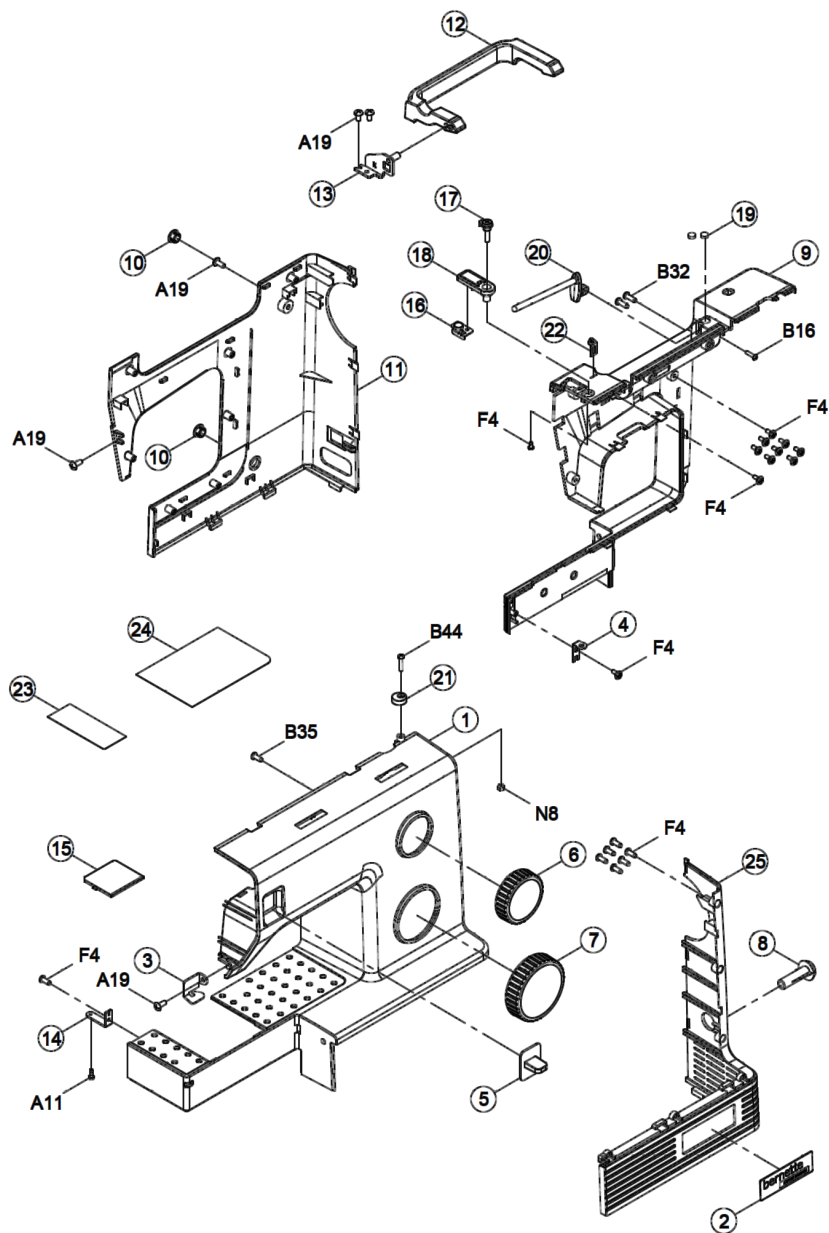


Spare Parts

b05 CRAFTER

b05 CRAFTER

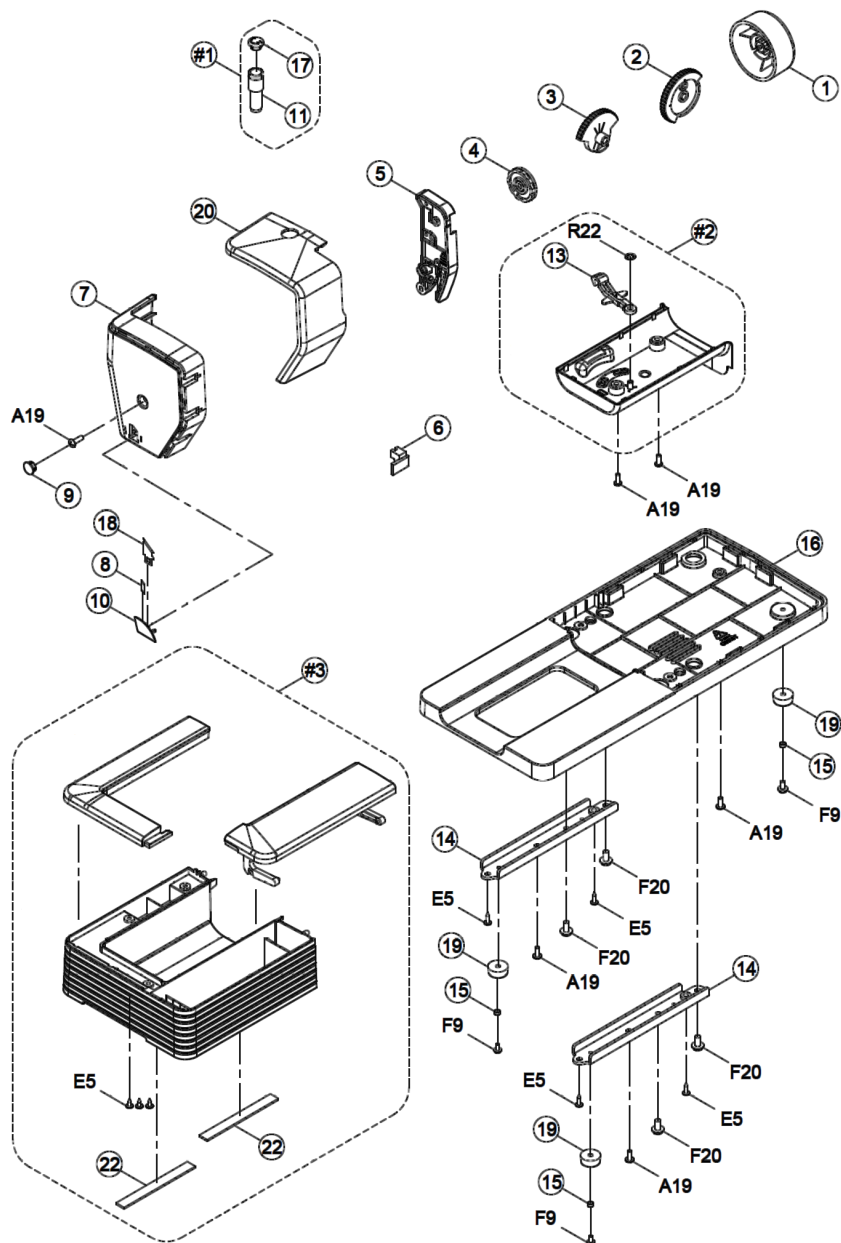
PRINCIPAL COVER COMPONENTS 1



Pos	Item number	Description	Supplier Part no.
1	5020210004	Front cover (1)	Q6KC013892
2	5020210032	Metal nameplate	Q6KA033000
3	5020210006	Arm thread guide plate	Q6K0193001
4	5020210029	Arm back cover set plate	E1A1673002
5	5020210007	Reverse button	Q6KZ103892
6	5020210008	Stitch length dial cpl.	Q6KR013892
7	5020210009	Pattern selector dial cpl.	Q6KD033892
8	5020210011	Trimming dial	Q6D0483195
9	5020210012	Back cover (1)	Q6KB013892
10	5020210044	Caps	E9R0803195
11	5020210014	Back cover (2)	Q6KB033195
12	5020210015	Handle	Q6KZ113892
13	5020210016	Handle bracket cpl.	K5L0035000-01
14	5020210017	Arm front cover set plate	E1A1623002
15	5020210027	Needle plate cover	CAAA063000
16	5020209962	Arm top cover thread guide	V6E0395000
17	5020209961	Bobbin winder thread guide cpl	P3A1495000
18	5020210019	Bobbin winder thread guide base	P3A1483892-01
19	5020210026	Spacer	CFA0813000
20	5020209280	Thread holder	V610443892
21	5020210021	Bobbin winder	K6B0393000
22	5020210023	Thread guide	Q6K0363001
23	5020210024	Slab cpl. (left)	Q6KZ214000
24	5020210025	Slab cpl. (right)	Q6KZ224000
25	5020210031	Front cover (2)	Q6KC023195
A11	5020210189	Set screw (m3x8 a)	004230211
A19	5020206112	Screw (M4*0.7*L8)	004240106
B16	5020210022	Set screw (m3*12)	0042300056
B32	5020210028	Set screw (m4x12 b)	004240526
B44	5020210020	Set screw (9/64x4 l=18)	004106371
F4	5020210018	Set screw (m3x7)	004230786
N8	5020206124	NUT	004706013

b05 CRAFTER

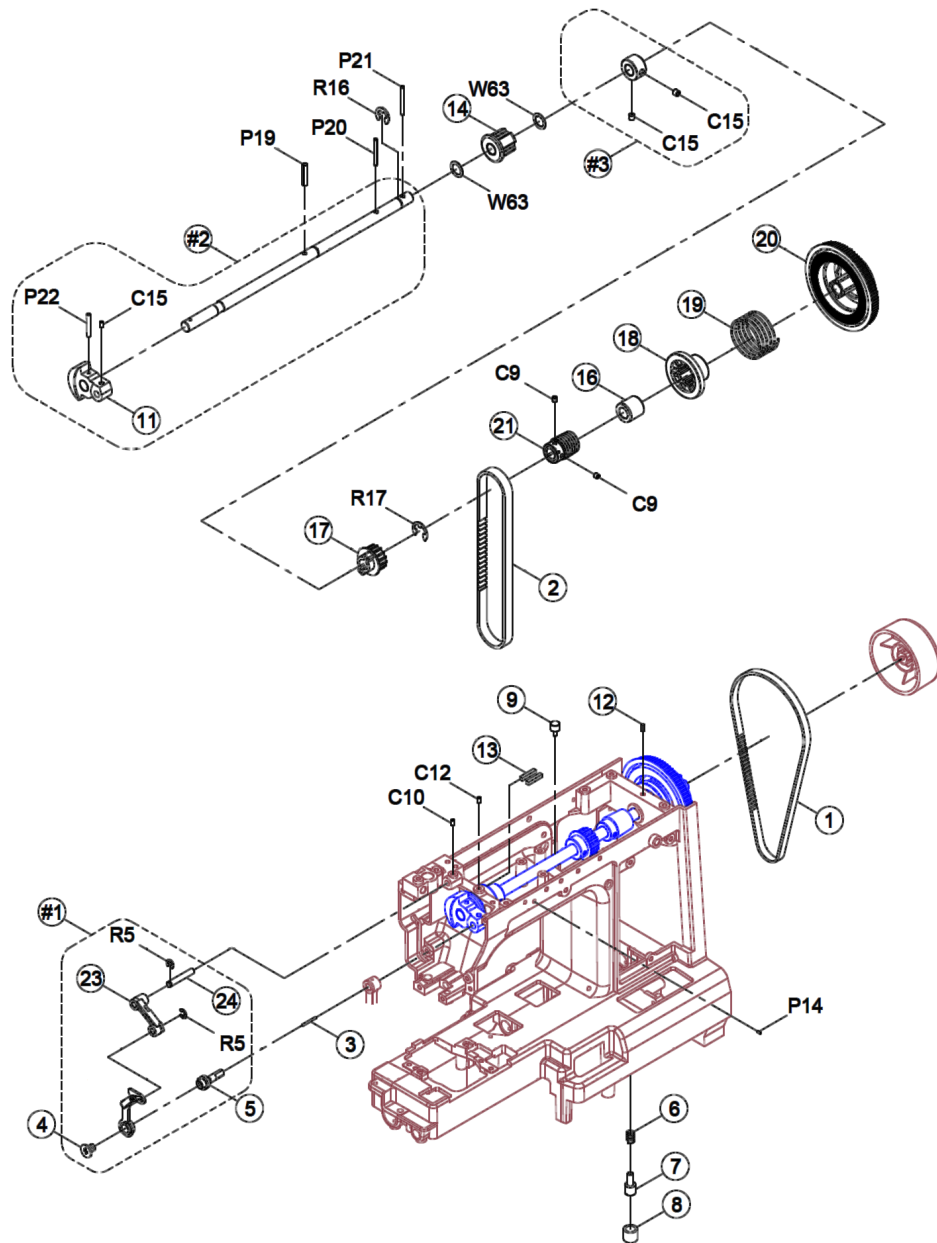
PRINCIPAL COVER COMPONENTS 2



Pos	Item number	Description	Supplier Part no.
1	5020210034	Hand wheel	Q6KZ123195
2	5020210035	Zigzag dial	Q6KW013892
3	5020210036	Needle position button	Q6KD023892
4	5020210037	Thread tension dial	Q6KD013485
5	5020210038	Tension supporter cover	Q6KZ063892
6	5020210039	Bh lever button	Q6KA023892
7	5020210041	Face cover	Q6KF013195
8	5020210209	Cutter	V630593000
9	5020210044	Caps	E9R0803195
10	5020210046	Thread cutter cover	E9R0653195
11	5020210047	Presser Bar Regulating Screw	E4A0243892
13	5020210049	Tooth lever arm	P3C0483892
15	5020208930	FREE ARM BASE CUSHION	H1A0583003
16	5020210050	Base	Q6KZ133892
19	5020210051	Free arm base cushion rubber	Q6K0163000
20	5020210057	Face decoration cover	Q6KF033892
A19	5020206112	Screw (M4*0.7*L8)	004240106
E5	5020209419	Screw (M3*0.5*L8.5)	004230216
F9	5020208929	Screw (M4*0.7*L8) (SET OF 10)	004240586
NR1	5020210059	Presser bar regulating screw cpl.	Q6KA014892
NR2	5020210048	Free arm base cover cpl.	Q6KZ094892
NR3	5020210054	Sewing table cpl.	Q6KZ144195
R22	5020208142	RING (CSTW-5, □4.8*□10*0.25)	003020053

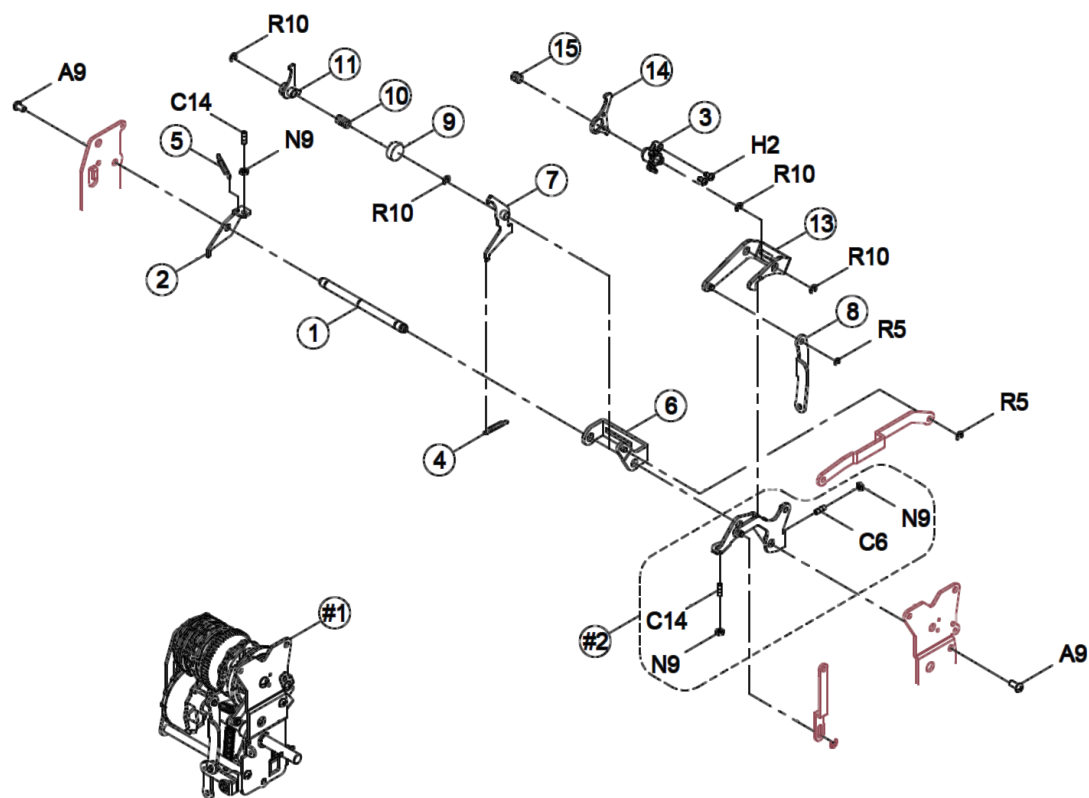
b05 CRAFTER

UPPER SHAFT COMPONENTS



Pos	Item number	Description	Supplier Part no.
1	5020210060	Belt	007170S3M1
2	5020210066	Belt	0074200001
3	5020210062	Oil cotton	Q6D0123000
6	5020205868	BASE PLATE ADJUSTMENT SCREW SPR	K82073003
7	5020205867	BASE PLATE ADJUSTMENT SCREW	K82133006
8	5020209903	Free arm base cushion rubber	E1A2503002
9	5020210063	Support pin	CAA0713003
11	5020209471	ARM SHAFT BALANCE	Q6D0713000
12	5020210071	Oil cotton	Q6D0373000
13	5020210072	Oil cotton	Q6D0813000
14	5020210065	Arm shaft bushing	Q6D0773000
16	5020210068	Arm shaft busing	Q6D0783000
17	5020209478	Arm Shaft Sprocket	H1A0403000
18	5020207286	ARM SHAFT COLLAR	D5A0583000
19	5020207285	ARM SHAFT CLUTCH	D5A0573003
20	5020210069	Arm shaft driver belt pulley	Q6D0403000
21	5020210067	Arm shaft worm cpl.	K6A1465000
23	5020205829	THREAD TAKE UP LEVER SUPPORTER	E1A2653000
24	5020206077	THREAD TAKE UP LEVER/SUPPORTER	V60223003
C10	5020206108	SCREW (M4*0.7*L5)	004240033
NR4	5020209492	Thread-Take-Lever-Complete	Q6D0364000
NR1	5020210408	THREAD TAKE-UP LEVER CPL.	CJB0094000
NR2	5020210334	Upper shaft CPL.	
NR3	5020206019	ARM SHAFT COLLAR CPL	R10304000

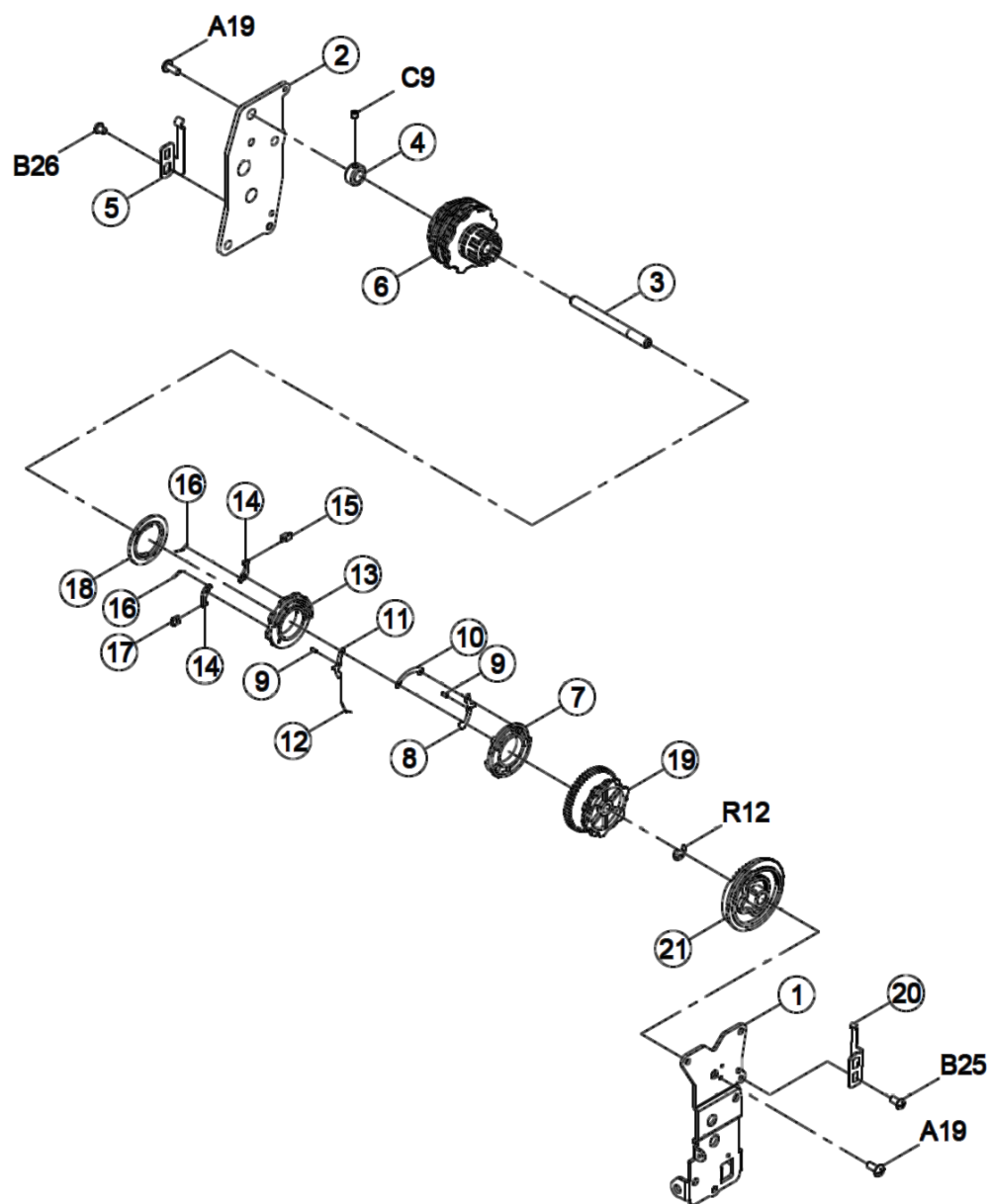
b05 CRAFTER



PATTERN CONTACT MECHANISM

Pos	Item number	Description	Supplier Part no.
1	5020210073	Contact supporter shaft	Q6K0083000
2	5020210074	Zigzag release plate	K6A0423003
3	5020210088	Ss cam contact	Q6K0123000
4	5020210086	Bh feed crank spring	E1A0973003
5	5020210075	Zigzag winder release plate spring	Q6K0293003
6	5020210076	Zigzag cam contact supporter	Q6A0203003
7	5020210077	Bh feed crank	K6A0473003
8	5020210085	Feed rock shaft	Q6B0073003
9	5020210078	Spring pedestal	K6B0053006
10	5020210079	Zigzag cam contact spring	Q6D0883003
11	5020210080	Zigzag cam contact	K6A0403003
13	5020210082	Ss cam contact supporter cpl.	Q6K0105000
14	5020210083	Ss cam contact	Q6K0093003
15	5020210084	Ss cam contact spring	V60773003
A9	5020206545	Screw (M3*0.5*L6)	004230016
C6	5020210087	Set screw (m4x0.7 I12)	004240633
C14	5020209673	Screw	004241093
H2	5020210089	Set screw (m3x8)	004230842
N9	5020209699	ADJUSTING NUT	0048400070
NR1	5020210090	Pattern cam contact cpl.	Q6K0024000
NR2	5020210081	Bh adjusting crank cpl.	Q6K0075000
R5	5020206095	E-RING (ETW-3, □3.2*□7*0.6)	003010036
R10	5020210178	E-ring (etw-5)	003010056

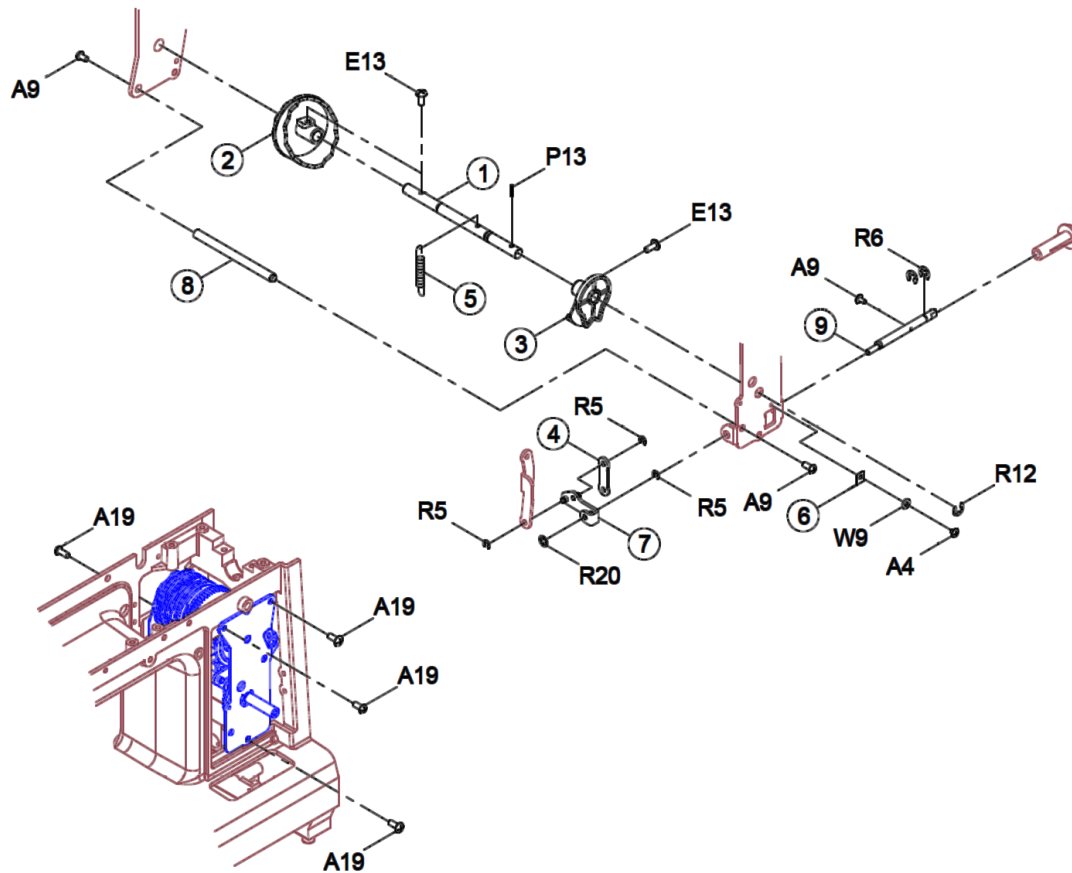
b05 CRAFTER



PATTERN CAM MECHANISM

Pos	Item number	Description	Supplier Part no.
2	5020210091	Pattern cam contact plate (back)	K6A0223003
3	5020210092	Pattern cam shaft	K6A0233003
4	5020210093	Pattern cam shaft collar	H11943003
5	5020210110	Pattern fix spring plate	P3A0883003
6	5020210094	Pattern cam cpl.	Q6K0033000
7	5020210095	Bh feed regulator cam	K6A0273000
8	5020210096	Bh clutch contact a	K6A0283002
9	5020210097	Bh clutch shaft	E1A0733000
10	5020210098	Bh clutch lever	K6A0303002
11	5020210099	Bh clutch contact b	K6A0293002
12	5020207628	BH CLUTCH SPRING PLATE	E1A0773003
13	5020210100	Bh cam	K6A0323000
14	5020210101	Bh contact	K6A0333002
15	5020210102	Bh slide block r	K6A0353000
16	5020210103	Bh contact spring plate	K6A0363000
17	5020210104	Bh slide block l	K6A0343000
18	5020210105	Straight stitch cam	K6A0313000
19	5020210106	Ss cam	Q6K0043000
20	5020210108	Feed regulator fix plate	K6A0543003
21	5020210107	Feed regulator cam	K6B0033000
A19	5020206112	Screw (M4*0.7*L8)	004240106
B25	5020210109	Set screw (m4x4 b)	0042400012
B26	5020210195	Set screw (m4x5 b)	004240676
C9	5020206116	SCREW (M4*0.7*L4)	004240503
R12	5020206549	E-RING ETW-6	003010063

b05 CRAFTER

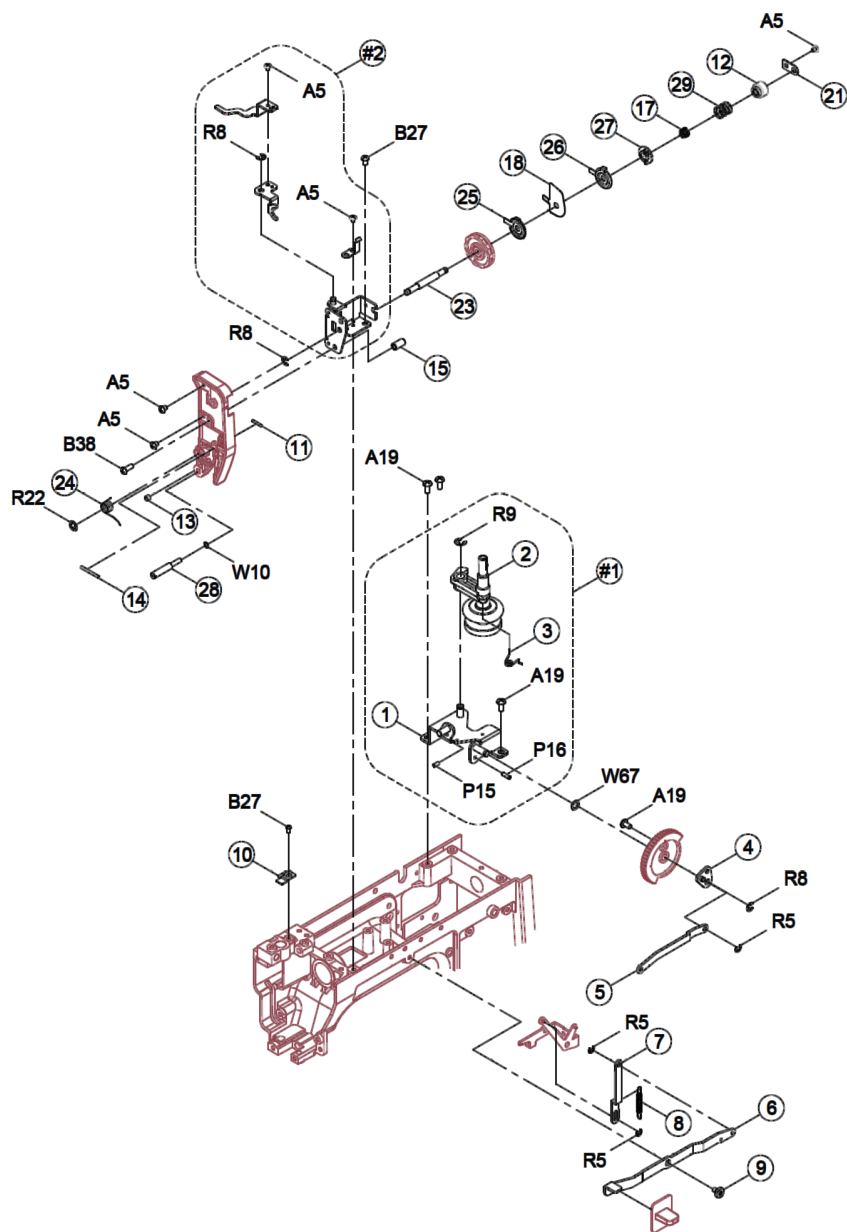


PATTERN SELECTION COMPONENTS

Pos	Item number	Description	Supplier Part no.
1	5020210111	Pattern selector cam shaft	Q6K0113003
2	5020210112	Pattern selector cam	Q6K0053000
3	5020210122	Pattern selector cam	Q6K0063000
4	5020210121	Feed regulating rod	Q6B0123003
5	5020210114	Feed regulating crank spring	F4A3313003
6	5020210120	Trimming shaft plate	Q6B0113003
7	5020210118	Adjusting plate	Q6B0103003
8	5020210116	Pattern cam contact supporter shaft	Q6A0243003
9	5020210117	Trimming shaft	Q6B0913000
A4	5020209796	SCREW	0042300508
A9	5020206545	Screw (M3*0.5*L6)	004230016
A19	5020206112	Screw (M4*0.7*L8)	004240106
E13	5020210113	Set screw (m4x10)	004240396
P13	5020210187	Pin	003042516
R5	5020206095	E-RING (ETW-3, □3.2*□7*0.6)	003010036
R6	5020207868	E-Ring (ETW-4, □4*□9*0.6)	003010043
R20	5020210119	Cs-ring (cstw-4)	003020043
W9	5020210115	Washer (4.1x8x1)	004300926

b05 CRAFTER

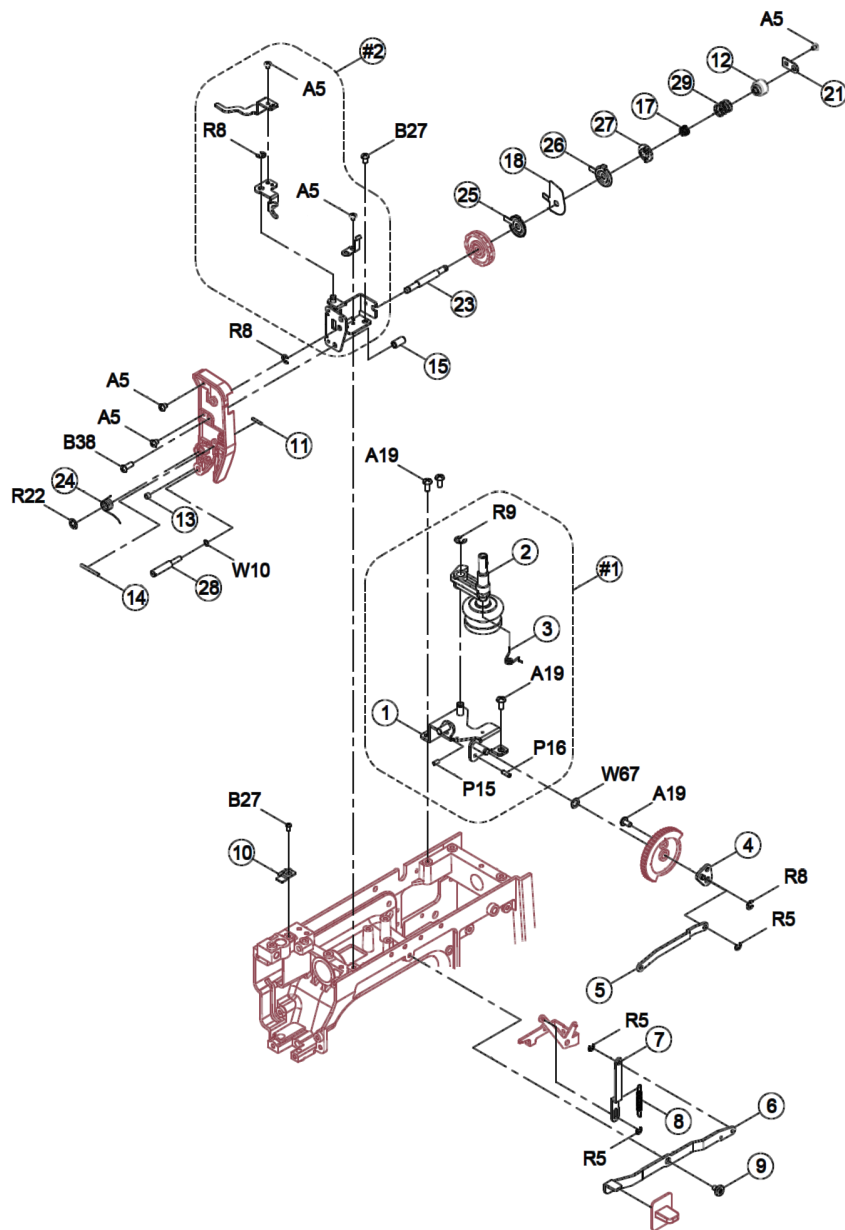
BOBBIN WINDER & THREAD TENSION MECHANISM



Pos	Item number	Description	Supplier Part no.
2	5020207933	BOBBIN WINDER CRANK CPL	K6A0555000
3	5020209179	BOBBIN WINDER CRANK SPRING	K6A0573003
4	5020210124	Zig zag regulator crank	VZ60103006
5	5020210125	Zigzag width adjustment rod	Q6D0343003
6	5020210126	Reverse lever	Q6B0693006
7	5020210127	Reverse rod	K6A0863003
8	5020206179	AUTO THREADER LEVER SPRING	M70093000
9	5020210128	Set screw (m4x4.5)	004240883
10	5020210142	Tension lever regulating plate	V880583003
11	5020210143	Thread guide roller pin	E1A2133000
12	5020210144	Dial tension regulate nut	Y4A0243000
13	5020210145	Thread spring stopper	E1A2193000
14	5020210146	Thread guide pin	E1A2143000
15	5020210141	Dial tension guide spring tube	K6K0103001
17	5020210140	Thread guide spring	Q6K0283003
18	5020210130	Dual thread guide plate	Q6K0153000
21	5020210131	Dial tension set plate	Y4A0563003
23	5020210132	Dial tension spring shaft	Y4A0223002
24	5020210147	Thread guide spring	H3J0083000
25	5020210133	Dial tension disc (left)	Q6K0433001
26	5020210134	Dial tension disc (right)	Y4A0583001
27	5020210135	Dial tension spring regulator	V10443000
28	5020210136	Set screw (m4x0.7 I42)	004241412
29	5020210138	Thread guide spring	Q6K0423003
A5	5020209828	Screw(M3*0.5*4A)	0042300066
A19	5020206112	Screw (M4*0.7*L8)	004240106
B27	5020206110	SCREW (M4*0.7*L6)	004240056
B38	5020210139	Set screw (m4x20 b)	004240086
NR1	5020210123	Bobbin winder frame plate assembly	Q7J0034000
NR2	5020210129	Tension supporter movement plate cpl.	Q6K0225000
P15	5020206541	WASHER	003043008
P16	5020210168	Pin (3x10)	003043010
R8	5020209691	E-Ring (ETW-4, □4*□9*0.6)	003010046
R9	5020207869	E-RING (ETW-5, □5*□11*0.6)	003010053

b05 CRAFTER

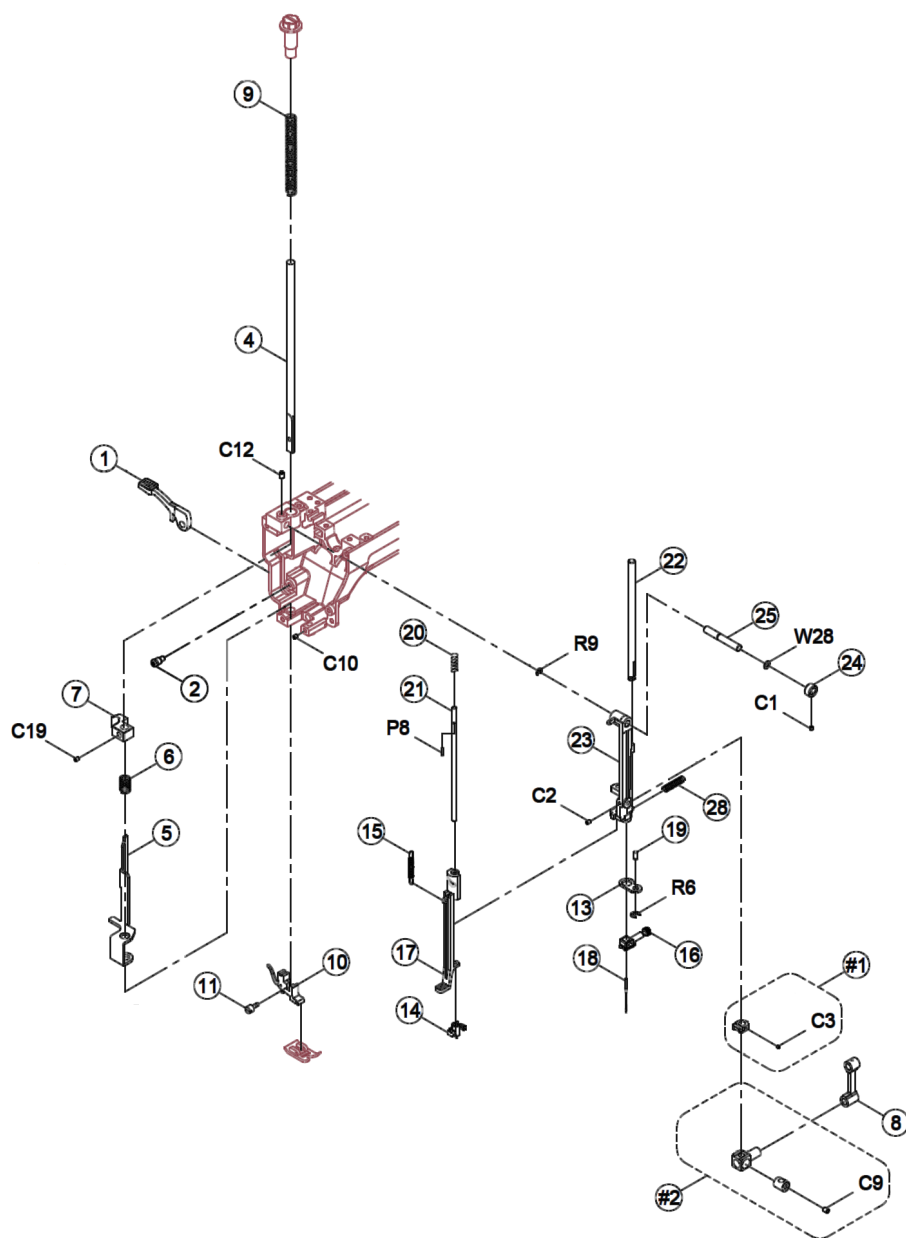
BOBBIN WINDER & THREAD TENSION MECHANISM



Pos	Item number	Description	Supplier Part no.
R22	5020208142	RING (CSTW-5, □4.8*□10*0.25)	003020053
W10	5020210137	Washer (4.2x8x0.8)	004300136
W67	5020209570	Washer (□6.4*□11*1*0.15)	004500670

b05 CRAFTER

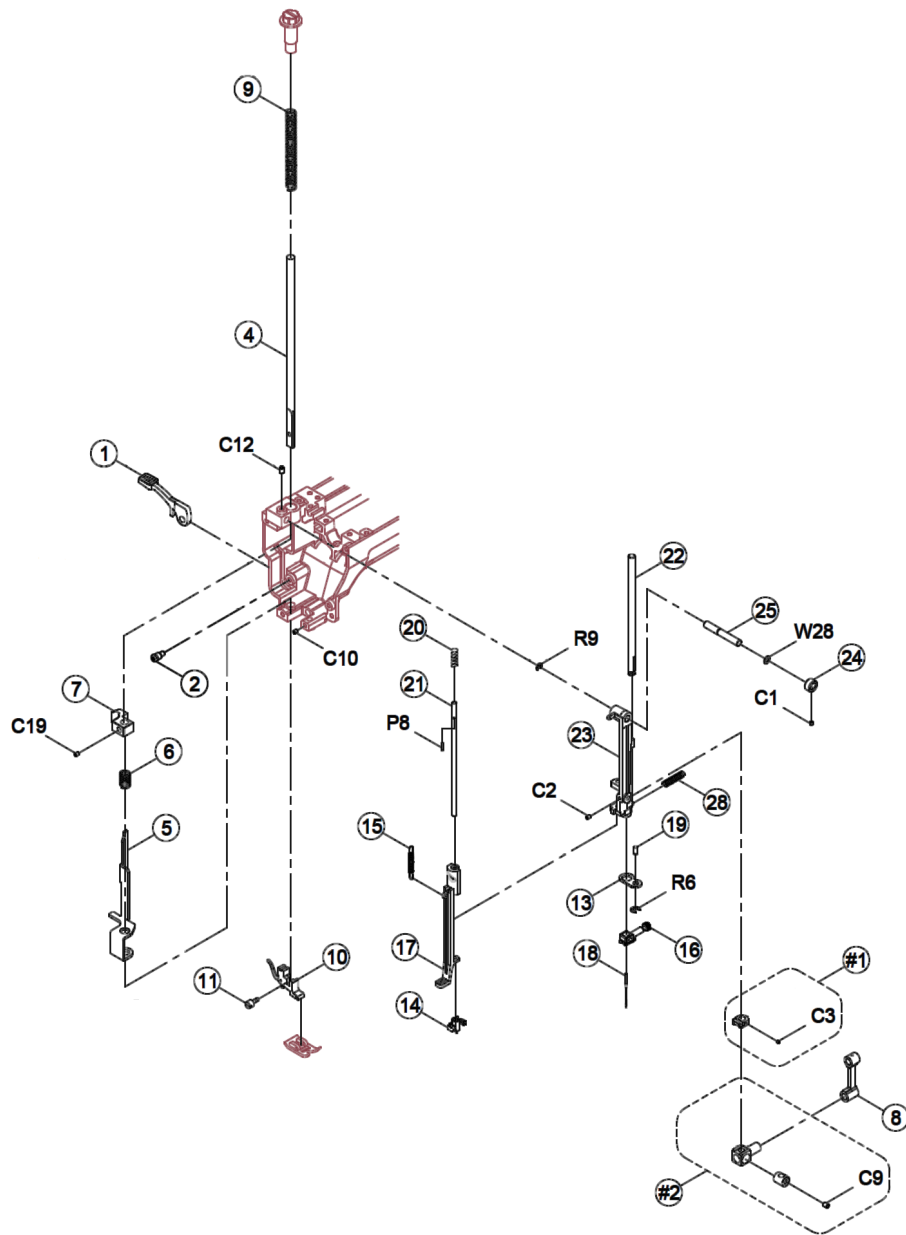
NEEDLE BAR & PRESSER MECHANISM



Pos	Item number	Description	Supplier Part no.
-1	5020210163	Threading stopper complete	K7P0145000
-2	5020206216	NEEDLE BAR BRACKET CPL	H10195000
1	5020210148	Presser bar lifter lever	K6A1193892
2	5020210149	Presser bar lifter lever screw washer	V60163000
4	5020210150	Presser bar	V70153002
5	5020210151	Tension-lever lifter	Q6B0153003
5	5020210476	Tension Lever Lifter	Q6B0153006
6	5020210172	Tension lever lifter spring	H10723003
7	5020210152	Presser bar bracket	H10533002
8	5020208065	NEEDLE BAR CRANK ROD CPL	V60193000
9	5020210153	Presser bar spring	Q6K0203003
10	5020205941	SHANK CPL. FOR ZIG ZAG PRESSER FOOT	006187008
11	5020210154	Screw	0042100141
13	5020209149	Needle bar swing ring	H7A0773003
14	5020210155	Auto threader	Q6G0225000-01
15	5020210156	Spring	Q6G0313000
16	5020210165	Needle clamp cpl.	CJB0765000
17	5020210157	Auto threader lever	K7P0063892
19	5020209576	NEEDLE BAR SUPPORTER PLATE PIN	CAA1823000
20	5020210158	Spring	Q6G0303003
21	5020210159	Auto threading shaft	K7P0053000
22	5020208758	NEEDLE BAR	V70273000
23	5020208910	Needle bar supporter	H7A0383000
24	5020210162	Collar	V880415003
25	5020210160	Needle bar supporter pin	H7A0393000
28	5020200061	NEEDLE BAR SUP. SPRING	H50583003
C1	5020209755	Screw (M3*0.5*L3)	004230433
C2	5020209972	Screw (M3*0.5*L4)	004230203
C3	5020209557	SCREW (M3*0.5*L4)	004230483
C9	5020206116	SCREW (M4*0.7*L4)	004240503
C10	5020206108	SCREW (M4*0.7*L5)	004240033
C12	5020206113	SCREW (M4*0.7*L6)	004240223
P8	5020206098	SPRING PIN	003042014
R6	5020207868	E-Ring (ETW-4, □4*□9*0.6)	003010043

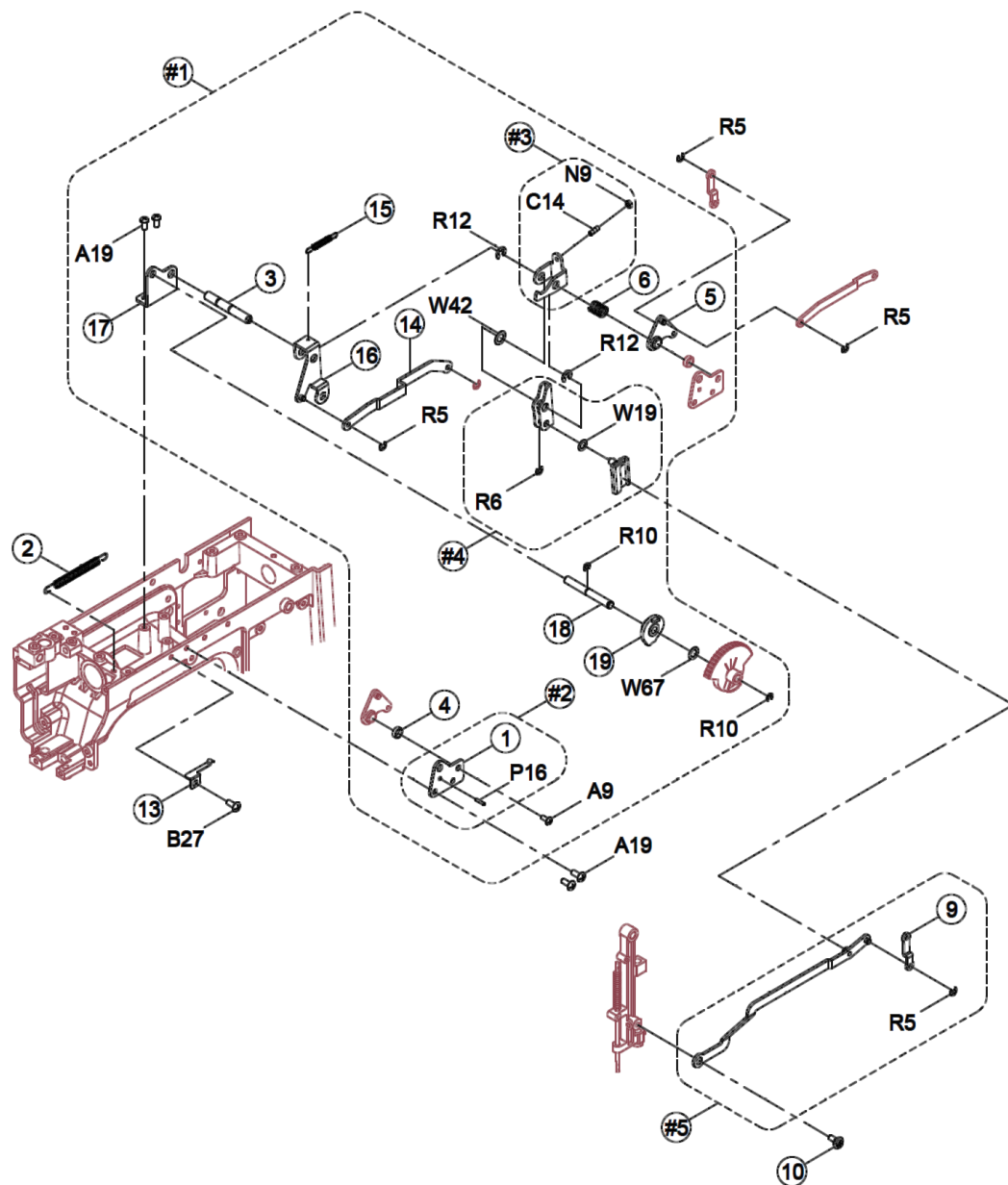
b05 CRAFTER

NEEDLE BAR & PRESSER MECHANISM



Pos	Item number	Description	Supplier Part no.
R9	5020207869	E-RING (ETW-5, 5*11*0.6)	003010053
W28	5020210161	Washer (6.2x12x0.5)	004300186

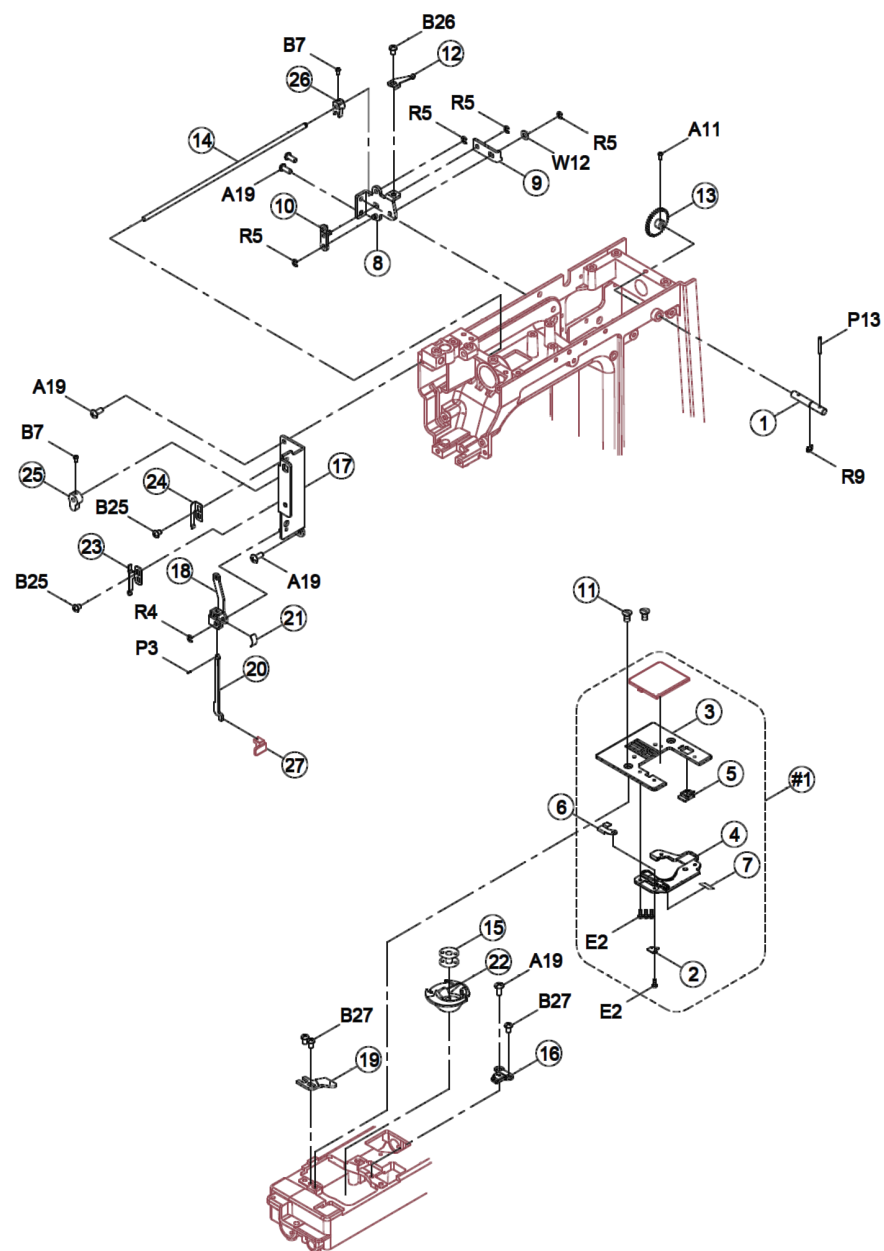
b05 CRAFTER



ZIGZAG MECHANISM

Pos	Item number	Description	Supplier Part no.
2	5020210182	Needle position spring	Q6D0393003
3	5020210169	Needle position crank shaft	Q6D0193003
4	5020210170	Tube	VZ50413003
5	5020210171	Zig zag width crank	VZ50343003
6	5020210172	Tension lever lifter spring	H10723003
9	5020210184	Zigzag width crank rod	Q6D0283003
10	5020209574	NEEDLE BAR DRIVING ROD PIN	E1A2993000
13	5020210180	Needle position plate	Q6D0253003
14	5020210181	Rod	Q6D0273003
15	5020206179	AUTO THREADER LEVER SPRING	M70093000
16	5020210175	Amplitude crank	Q6D0183003
17	5020210179	Needle position plate (back)	Q6D0173003
18	5020210176	Needle position button shaft	Q6D0243003
19	5020210177	Needle position cam	Q6D0223000
A9	5020206545	Screw (M3*0.5*L6)	004230016
A19	5020206112	Screw (M4*0.7*L8)	004240106
B27	5020206110	SCREW (M4*0.7*L6)	004240056
C14	5020209673	Screw	004241093
N9	5020209699	ADJUSTING NUT	0048400070
NR1	5020210185	Needle position plate cpl.	Q6KD024892
NR2	5020210167	Needle position plate complete	Q6D0165000
NR3	5020210173	Needle position adjustment crank cpl	Q6D0204003
NR4	5020210174	Needle position crank complete	VZ50275000
NR5	5020210183	Needle bar driving rod cpl.	Q6D0145000
P16	5020210168	Pin (3x10)	003043010
R5	5020206095	E-RING (ETW-3, □3.2*□7*0.6)	003010036
R6	5020207868	E-Ring (ETW-4, □4*□9*0.6)	003010043
R10	5020210178	E-ring (etw-5)	003010056
R12	5020206549	E-RING ETW-6	003010063
W42	5020209683	Washer (8.2*12*0.5)	004300936
W67	5020209570	Washer (□6.4*□11*1*0.15)	004500670

b05 CRAFTER

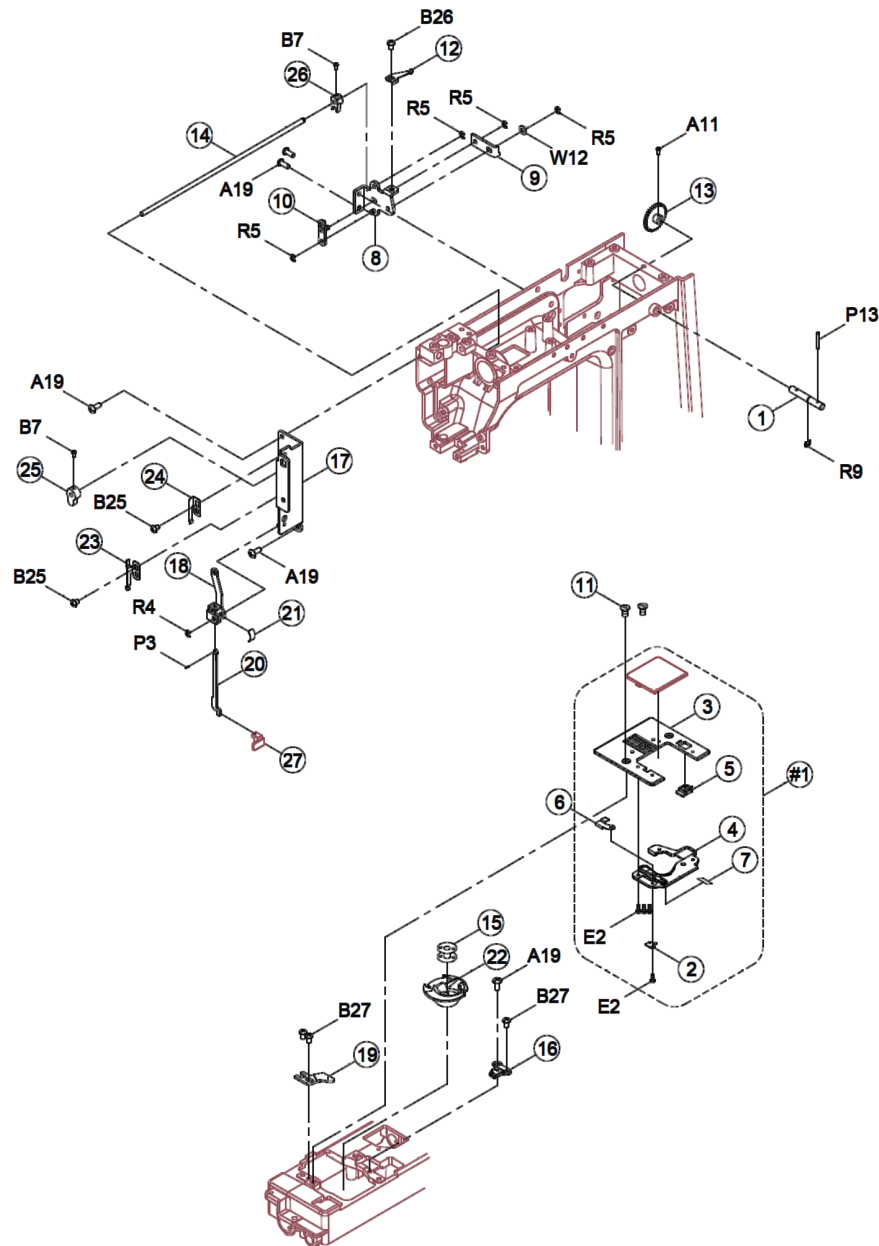


BH MECHANISM & NEEDLE PLATE COMPONENTS

Pos	Item number	Description	Supplier Part no.
1	5020210186	Feed regulator dial shaft	Q6D0643003
2	5020210206	Cutter plate	CAA1383001
3	5020208761	NEEDLE PLATE	H2A0033004
4	5020210208	Needle plate supporter	CAAA053000
5	5020207862	NEEDLE PLATE COVER OPEN	NB0233000
6	5020207854	NEEDLE PLATE SPRING	E1A2603000
7	5020210209	Cutter	V630593000
8	5020210190	Bh selector plate	K6A0703003
9	5020210191	Bh slide plate	K6A0723003
10	5020210193	Bh selector plate	K6A0733003
11	5020210205	Set screw	0042415701
12	5020210194	Bh cam plate	K6A0773003
13	5020210188	Feed regulator gear	P3A0903000
14	5020210196	Bh select crank shaft	E1A1433003
15	5020205923	BOBBIN	5020208150
16	5020206141	Rotary Hook Plate cpl	E1A0584000
17	5020210198	Bh lever plate cpl.	Q6G0055000
18	5020210199	Bh lever crank	K6A0923003
19	5020206142	ROTARY HOOK PLATE	E1A0593002
20	5020210200	Bh lever	K6A0943002
21	5020210201	Bh lever spring plate	K6A0933000
22	5020210204	Bobbin case	Q6G0155000-01
22	5020210477	Bobbin Case	Q6K0475000
23	5020210403	BH positioning plate	Q6K0533003
24	5020206786	BH POSITIONED PLATE	E1A1523003
25	5020206583	BUTTONHOLE CRANK	E1A1513000
26	5020210197	Bh select crank	K6A0763000
27	5020210039	Bh lever button	Q6KA023892
A11	5020210189	Set screw (m3x8 a)	004230211
A19	5020206112	Screw (M4*0.7*L8)	004240106
B7	5020209641	Set Screw (M3*5B)	004230056
B25	5020210109	Set screw (m4x4 b)	0042400012
B26	5020210195	Set screw (m4x5 b)	004240676
B27	5020206110	SCREW (M4*0.7*L6)	004240056

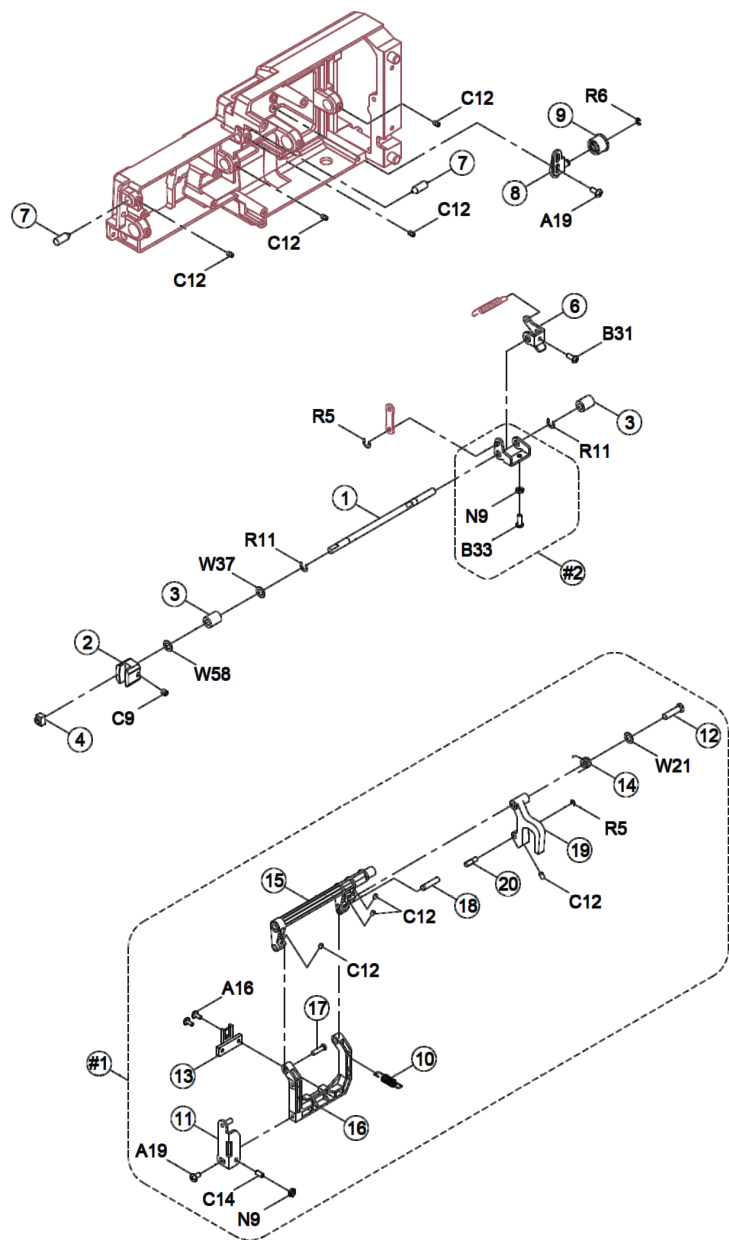
b05 CRAFTER

BH MECHANISM & NEEDLE PLATE COMPONENTS



Pos	Item number	Description	Supplier Part no.
E2	5020209504	Set Screw	0042200016
NR1	5020210210	Needle plate cpl.	Q6KA044000
P3	5020210202	Pin	003041605
P13	5020210187	Pin	003042516
R4	5020209530	E-Ring (ETW-3, □3.2*□7*0.6)	003010033
R5	5020206095	E-RING (ETW-3, □3.2*□7*0.6)	003010036
R9	5020207869	E-RING (ETW-5, □5*□11*0.6)	003010053
W12	5020210192	Washer (4.2x9x0.5)	004300076

b05 CRAFTER

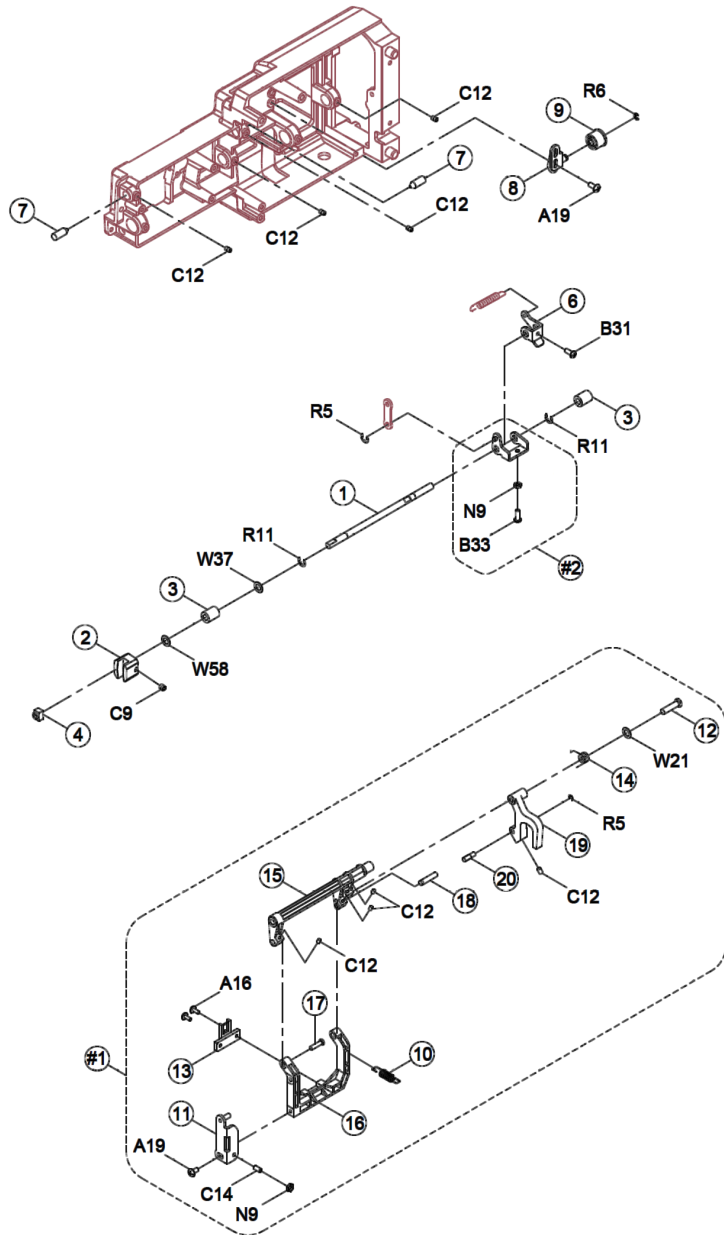


FEED MECHANISM

Pos	Item number	Description	Supplier Part no.
1	5020210211	Feed regulating shaft	Q6A0403000
2	5020210212	Feed-regulating	F30353000
2	5020208935	FEED REGULATING	F31393000
3	5020210213	Feed rock bushing	R11443000
4	5020210218	Feed regulating block	F30333000
6	5020210217	Feed crank	E1A0493003
7	5020210226	Pin	P3A0613000
8	5020210227	Belt adjusting plate	H1A0433003
9	5020208861	BELT ADJUSTING PULLEY	H1A0453000
10	5020210225	Feed dog spring	P3A0603003
11	5020209172	FEED LIFTING ROCK CRANK	P3A0553002
12	5020209666	FEED ROCK SHAFT	P3A0583003
13	5020207885	FEED DOG	H1A0363000
14	5020210224	Feed rock crank spring	P3A0933003
15	5020210219	Feed rock shaft	P3A1763000
16	5020210220	Feed dog frame	P3A1773000
17	5020209671	Feed Dog Shaft	P3A0533003
18	5020210221	Feed rock frame shaft (2)	E1A0403000
19	5020210222	Feed rock crank	P3A1783000
20	5020210223	Regulating block shaft	P3A0593000
A16	5020209678	Set Screw (M3.5*8A)	004235016
A19	5020206112	Screw (M4*0.7*L8)	004240106
B31	5020206109	SET SCREW	004240046
B33	5020210228	Set screw (m4x12 b)	004240136
C9	5020206116	SCREW (M4*0.7*L4)	004240503
C12	5020206113	SCREW (M4*0.7*L6)	004240223
C14	5020209673	Screw	004241093
N9	5020209699	ADJUSTING NUT	0048400070
NR1	5020210229	Feed rock shaft cpl.	Q6D0924000
NR2	5020210216	Feed regulating crank	Q6B0034003
R5	5020206095	E-RING (ETW-3, □3.2*□7*0.6)	003010036
R6	5020207868	E-Ring (ETW-4, □4*□9*0.6)	003010043
R11	5020210215	E-ring	003011052
W21	5020209974	WASHER (5.2X12X1)	004300733

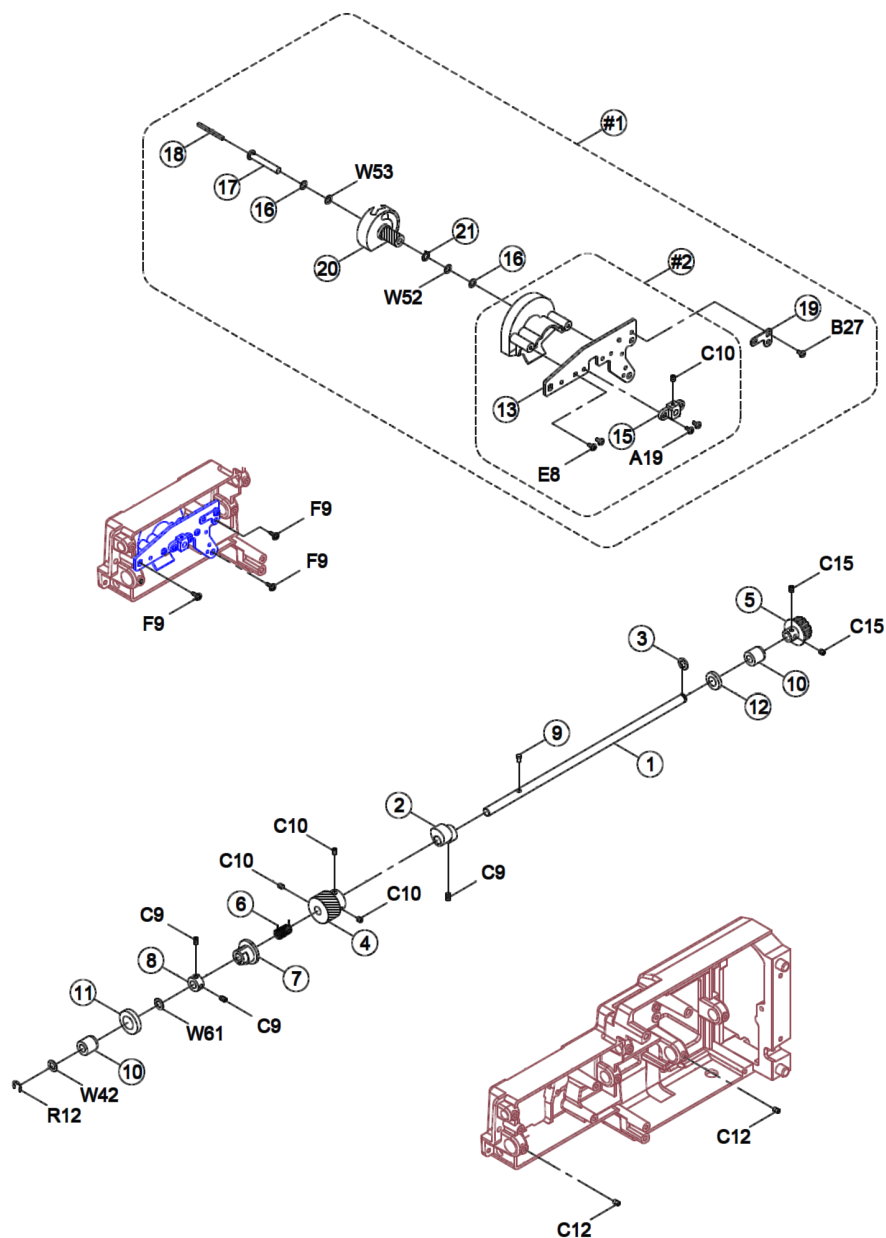
b05 CRAFTER

FEED MECHANISM



Pos	Item number	Description	Supplier Part no.
W37	5020210214	Washer (6.7x12x1)	004300123
W58	5020209693	Washer (□6.7*□11.8*0.5)	004400570

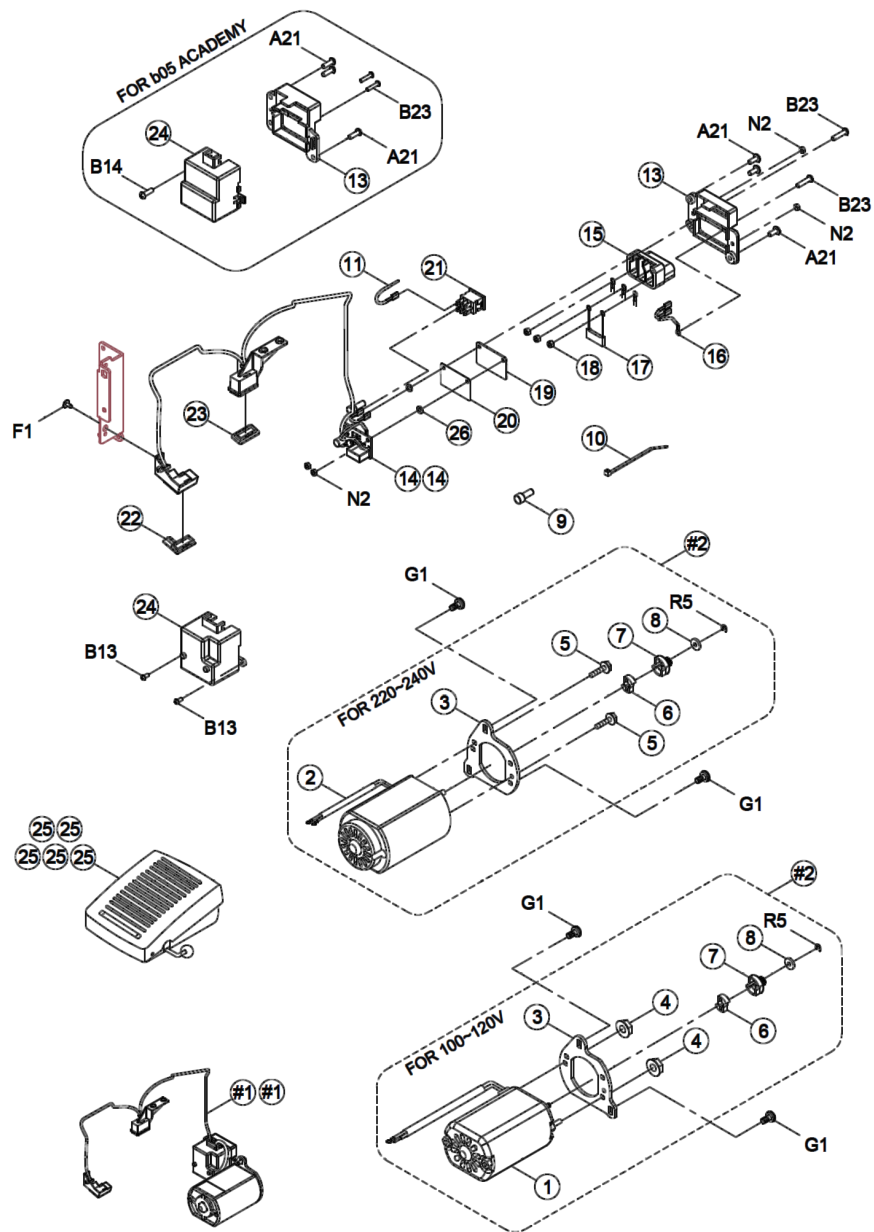
b05 CRAFTER



HOOK & LOWER SHAFT COMPONENTS

Pos	Item number	Description	Supplier Part no.
1	5020210230	Lower shaft	Q6A0083000
2	5020208753	FEED ROCK CAM	H1A1503000
3	5020210235	C-ring	R1A2583000
4	5020210231	Lower shaft gear	P3A1853000
5	5020210233	Lower shaft belt pulley	H1A0463000
6	5020207863	LOWER SHAFT SPRING	P3A0443003
7	5020208754	FEED LIFTING ROCK CAM	P3A0423000
9	5020209381	FEED LIFTING ROCK CAM PIN	P3A0433003
10	5020207024	LOWER SHAFT BUSHING	E1A0283000
12	5020210241	Felt seal	R1A2243000
13	5020210236	Rotary hook holder	H1A0383006
15	5020210239	Rotary hook supporter	E1A0543000
16	5020206182	BOBBIN SHAFT WASHER	NB0673000
17	5020206143	BOBBIN SHAFT	E1A2033000
18	5020206183	BOBBIN SHAFT OIL CLOTH	NB0693000
19	5020210238	Rotary hook holder positioned plate	P3A0493003
20	5020208723	SHUTTLE HOOK HOLDER	Q6A0704000
21	5020206272	BOBBIN SHAFT WASHER	NB0683000
A19	5020206112	Screw (M4*0.7*L8)	004240106
B27	5020206110	SCREW (M4*0.7*L6)	004240056
C9	5020206116	SCREW (M4*0.7*L4)	004240503
C10	5020206108	SCREW (M4*0.7*L5)	004240033
C15	5020206117	SCREW (M5*0.8*L5)	004250203
E8	5020209805	Set Screw (M3*12)	004230066
NR1	5020210242	Rotary hook holder cpl.	Q6A0884000
NR2	5020210237	Rotary hook holder complete	H1A0384000
R12	5020206549	E-RING ETW-6	003010063
W42	5020209683	Washer (8.2*12*0.5)	004300936
W52	5020209721	WASHER	0044000200
W53	5020206122	ENDURE ATTRITION WASHER	004400840
W61	5020209734	ENDURE ATTRITION WASHER	004400830

b05 CRAFTER



MOTOR & POWER SUPPLY & ELECTRONIC PARTS

Pos	Item number	Description	Supplier Part no.
1	5020210244	Motor (120v us crafter)	001Q6D4003
2	5020210245	Motor (230v eu academy)	001Q6D1003
3	5020210249	Motor bracket	Q6A0333006
4	5020210250	Nut (m4 t=5.5)	004840131
6	5020206128	PULLEY CUSHION	008059302
7	5020210251	Belt wheel	Q6D0733000
8	5020210252	Motor feed pully washer	002145029
9	5020210264	Pin	AA0463000
10	5020209800	CORD CLIP	002027129
14-1	5020210274	Led holder cpl. (230v)	Q6K0335000
14-2	5020210273	Led holder cpl. (120v)	Q6K0355000
15	5020207923	RECEPTACLE	002624129
21	5020206071	SWITCH	002425118
22	5020210275	Lampshade	VGJ0773031
23	5020210276	Lampshade	Q6K0133031
24	5020210261	Receptacle holder cover	K6C0423000
25-1	5020210266	Foot controller (120v US Crafter)	002Q6D4004
25-2	5020210268	Foot controller (230v EU Crafter)	002MAE1001
25-3	5020210346	Foot controller (UK Crafter)	002MAE1005
25-4	5020210347	Foot controller (Australia / New Zealand Crafter)	002MAE1004
25-5	5020210349	Foot controller (Korea Crafter)	002MAE1002
26	5020210277	Washers	0040300013
A21	5020210263	Set screw (m4x10 a)	004241046
B13	5020210262	Set screw (m3x8 b)	004230286
B23	5020210260	Set screw (m3x25 b)	004230356
G1	5020209760	SCREW	0042500096
N2	5020209626	Nut (M3*0.5*2.3)	004830016
NR11	5020210279	Motor cpl. with wire (230v eu crafter)	001Q6K1004
NR12	5020210281	Motor cpl. with wire (120v us crafter)	001Q6K4004
NR21	5020210246	Motor (230V EU)	001Q6D1002
R5	5020206095	E-RING (ETW-3, □3.2*□7*0.6)	003010036

b05 CRAFTER

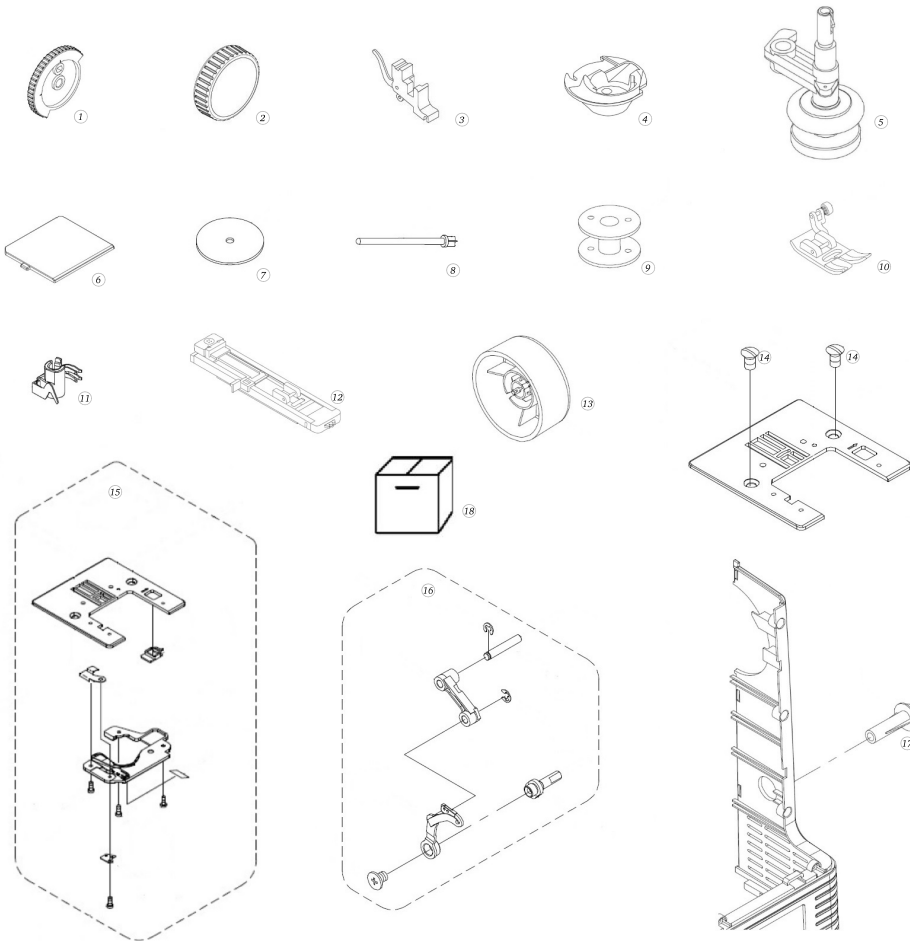


ACCESSORIES (STANDARD)

Pos	Item number	Description	Supplier Part no.
1	5020210317	ZigZag foot	U2-FS3-099
2	5020210319	Zipper foot	U2-FS3-101
3	5020210318	buttonhole foot with slide	U2-FS3-100
4	5020210297	blindstitch foot	U2-FS3-078
5	5020210315	Overlock foot	US-FS3-077
6	5020210296	invisible zipper foot	U2-FS3-079
7	5020210320	Embroidery foot	U2-FS3-104
8	5020210295	Button-sew-on foot	U2-FS3-091
9	5020210299	Hemmer foot	U2-FS3-083
10	5020210302	Open embroidery foot	U2-FS3-085
11	5020210292	ZigZag foot with non-stick sole	U2-FS3-082
12	5020210298	Edgestitch foot	U2-FS3-081
13	0025077102	Needle Set 130/705 H Packed ASS 70-90 (5)	
14	5020210323	bobbins	U2-FS3-102
15	5020209307	Brush & seam ripper	0060A13003
16	5020205924	SEAM GUIDE	006008001
17	5020209850	SCREWDRIVER	0060A13001
18	5020205926	SPOOL HOLDER BIG	R12373892
19	5020205927	SPOOL HOLDER SMALL	TA10943892
20	5020210286	Spool rod	Q6H0043892
21	5020209312	SPOOL PIN FELT	006D6B0016
22	5020205922	OIL BOTTLE	006013009
23	5020207937	THREAD NET	006R1A0032
24	0032605000	Compensating-Plates	
24	0032605100	Compensating Plates	
25	5020205920	L-SCREWDRIVER	006093009
26	5020210324	Extension table	U2-FS3-108

b05 CRAFTER

Recommended spare parts



Pos	Item number	Description	Supplier Part no.
1	5020210035	Zigzag dial	Q6KW013892
2	5020210009	Pattern selector dial cpl.	Q6KD033892
3	5020205941	SHANK CPL. FOR ZIG ZAG PRESSER FOOT	006187008
4	5020210204	Bobbin-case	Q6G0155000-04
4	5020210477	Bobbin Case	Q6K0475000
5	5020207933	BOBBIN WINDER CRANK CPL	K6A0555000
6	5020210027	Needle plate cover	CAAA063000
7	5020209312	SPOOL PIN FELT	006D6B0016
8	5020210286	Spool rod	Q6H0043892
9	5020205923	BOBBIN	5020208150
10	5020205940	Zig Zag presser foot	006186008
11	5020210155	Auto threader	Q6G0225000-01
12	5020205686	BUTTONHOLE FOOT	006171008
13	5020210034	Hand wheel	Q6KZ123195
14	5020210205	Set screw	0042415701
15	5020210210	Needle plate cpl.	Q6KA044000
16	5020209492	Thread Take Lever Complete	Q6D0364000
16	5020210408	THREAD TAKE-UP LEVER CPL.	CJB0094000
17	5020210011	Trimming dial	Q6D0483195
18	5020209990	COLOR CARTON b05 CRAFTER	027Q6K0215
19	5020210341	STYROPFOAM b05	025Q6K0001